

CLASSIC

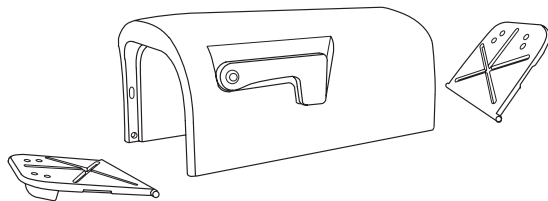
MAILBOX & POST COMBO

INSTALLATION INSTRUCTIONS / INSTRUCCIONES DE INSTALACION

Recommended Tools & Supplies:
Recomendó Herramientas y Suministros:

WARNING: CHECK FOR UNDERGROUND CABLES OR PIPES BEFORE DIGGING.
ADVERTENCIA: CHEQUE PARA CABLES O TUBOS SUBTERRÁNEOS ANTES DE CAVAR.

PARTS / PARTES



1- Wrap with Flag
Envoltura con Bandera

2- Doors
Puertas

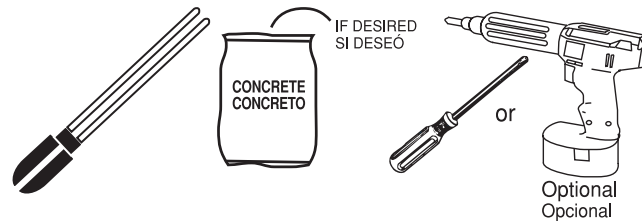
1- Base

1- Post
Poste

Screws / Vis /
Tornillos

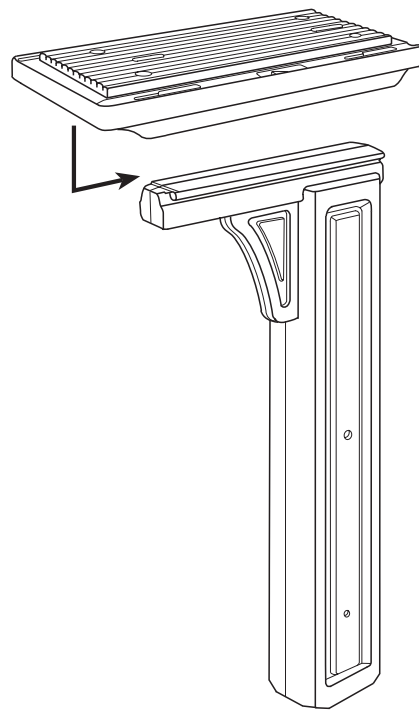


4- #6 x 1 5/8"



1 Slide base onto post until it snaps into place.

Deslizar la base sobre el poste hasta lo chasquidos en lugar.

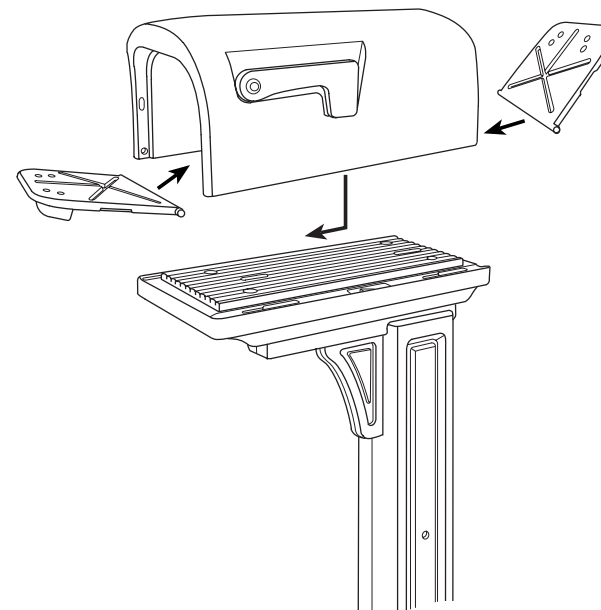


2 **A** Slide wrap onto base until it snaps into place.

Deslizar la envoltura sobre el base hasta lo chasquidos en lugar.

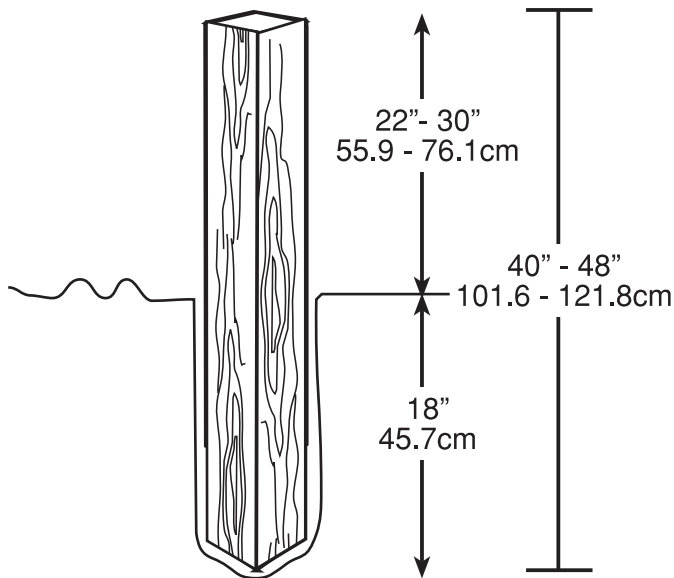
B Attach doors to wrap. Insert one pin, then snap the other one in place.

Adjuntar puertas a envoltura. Insertar un alfiler y entonces chasquido el otro en lugar.



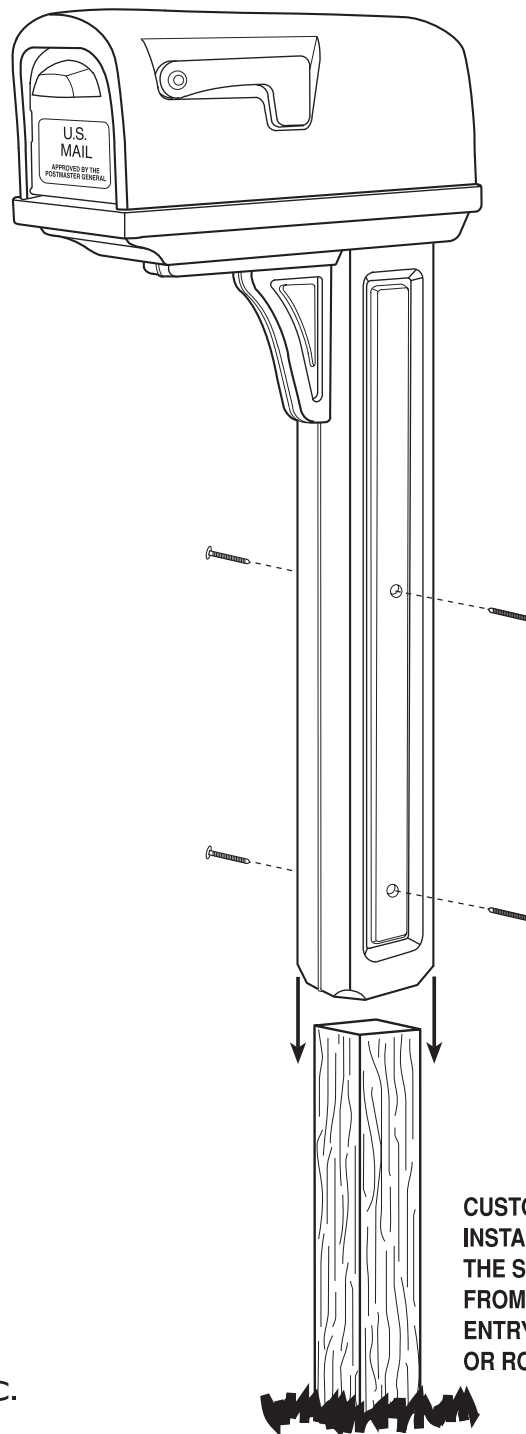
3 Dig a hole and install 40"- 48" treated 4x4 post (not included.)

Excavar un hoyo e instalar 101.6-128.8cm 4x4 poste con tratamiento (no incluyó.)



NOTE: Make sure post is level
LA NOTA: Asegurarel poste es es nivel.

4 Attach combo to 4x4 post with 4(#6 x 1 5/8") screws.
Adjuntar unidad a 4x4 poste con 4(#6 x 1 5/8") tornillos.



10 Year Warranty

Solar Group, Inc. warrants this mailbox product to be free from defects in materials and workmanship for a period of ten years from the purchase date by the original purchaser. This limited warranty does not include minor cosmetic blemishes caused by normal use, environmental conditions which may cause coating, fading, chipping or damage caused by others. Solar Group, Inc. shall not be liable under this or any implied warranty for incidental or consequential damages. This warranty does not cover any mailbox which has been altered or used for a purpose other than that for which it is intended, or manner inconsistent with any instructions regarding its use or installation (e.g. enclosing with masonry). This warranty shall be limited to repair or replacement of product or parts found to be defective under normal use, as determined by Solar Group, Inc.

Solar Group, Inc.
P.O. Box 525
Taylorsville, MS 39168

CUSTOMERS ARE REQUIRED TO CONTACT THE LOCAL POST OFFICE BEFORE INSTALLING THE MAILBOX TO ENSURE ITS CORRECT PLACEMENT AND HEIGHT AT THE STREET. GENERALLY, MAILBOXES ARE INSTALLED AT A HEIGHT OF 41-45 IN. FROM THE ROAD SURFACE TO INSIDE FLOOR OF THE MAILBOX OR POINT OF MAIL ENTRY (LOCKED DESIGNS) AND ARE SET BACK 6-8 IN. FROM FRONT FACE OF CURB OR ROAD EDGE TO THE MAILBOX DOOR.

