

The COLONIAL™ MAILBOX & PLANTER POST COMBO #PP700

INSTALLATION INSTRUCTIONS / INSTRUCCIONES DE INSTALACION

WARNING: CHECK FOR UNDERGROUND CABLES OR PIPES BEFORE DIGGING.
ADVERTENCIA: CHEQUE PARA CABLES O TUBOS SUBTERRANEOS ANTES DE CAVAR.

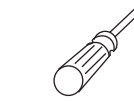
RECOMMENDED TOOLS & SUPPLIES:
HERRAMIENTAS & ABASTECE RECOMENDADAS:



Post Hole Digger
 Excavadora de Hoyo



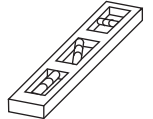
CONCRETE
 CONCRETO



Phillips Screwdriver
 Destornillador



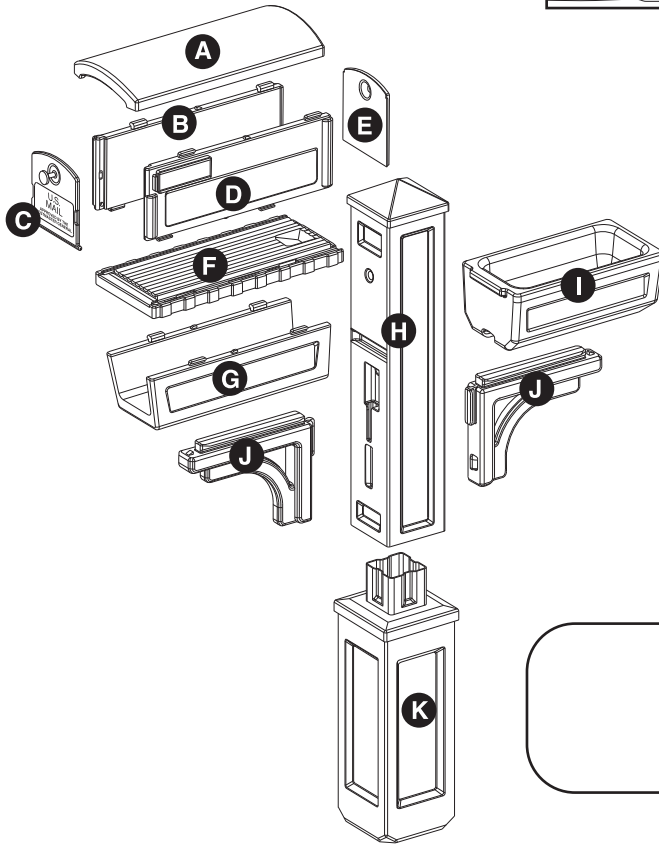
or **Power Screwdriver**
 Destornillador Eléctrico



Level
 Nivel

Use concrete if desired. Recommended for areas with loose soil.
 Uso concreto si deseado. Recomendado para áreas con suelo flojo.

PARTS / PARTES:



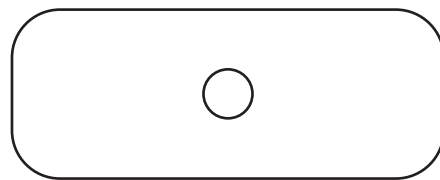
- A - Roof
- B - Left Side
- C - Front Door
- D - Right Side
- E - Rear Panel
- F - Floor
- G - Newspaper Wrap
- H - Upper Post
- I - Planter
- J - Arms
- K - Lower Post



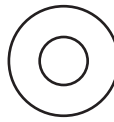
6 Foot 4x4 Required
 6' 4x4 requirido

1 Dig a hole 24" deep and 9" in diameter. Place 6' 4x4 in hole, making sure one side of post is parallel to the street. Replace dirt and pack down around post, leveling the post as you go. **Note:** Use concrete to set post in areas with loose soil.

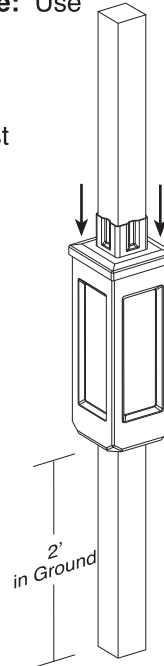
Slide lower post over 4x4.



(1) Fastener Plate

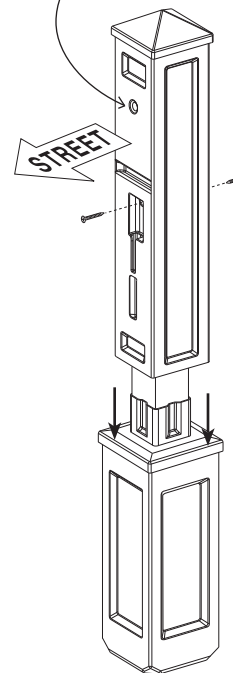


(1) Washer

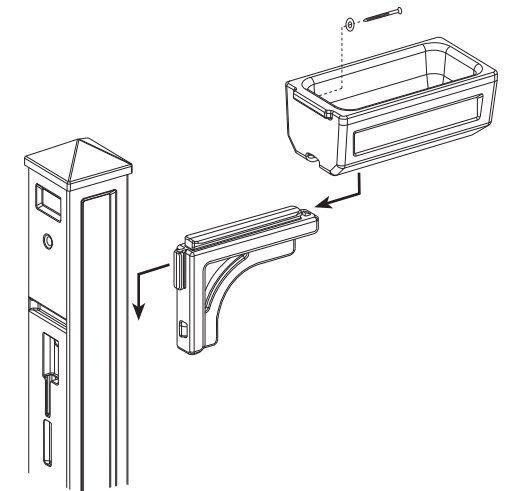


2 Slide upper post over 4x4 and lower post. Secure post assembly to 4x4 with (2) #6 x 1 5/8" deck screws.

Note: The dimple in the upper post should face the street.



3 Slide one arm onto back of upper post until it snaps into place. Slide planter onto the arm and secure with (1) #10 x 3 1/2" deck screw and washer.

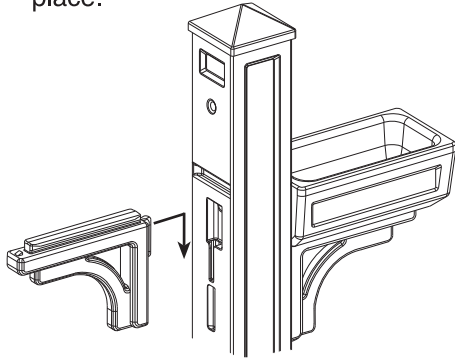


(2) #6 x 1 5/8" Deck Screws

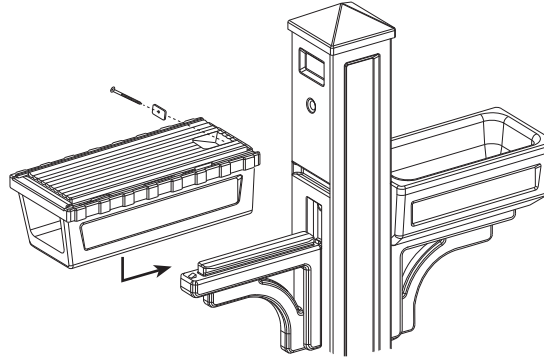
(2) #10 x 3 1/2" Deck Screw

Screws shown actual size.

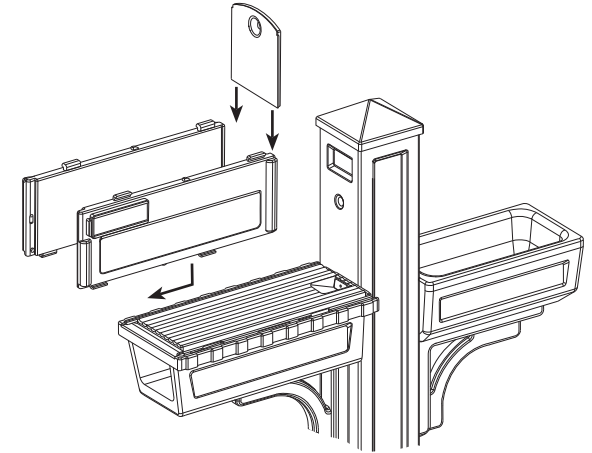
- 4** a Slide second arm onto front of upper post until it snaps into place.



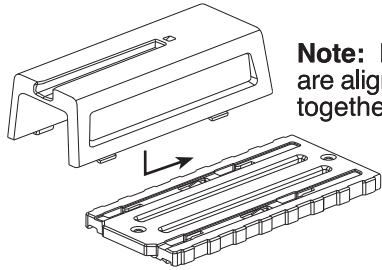
- 5** Slide newspaper wrap onto arm. Secure floor to post with (1) #10 x 3 1/2" deck screw and fastener plate.



- 6** Attach mailbox sides to floor. Slide rear panel into back of sides.

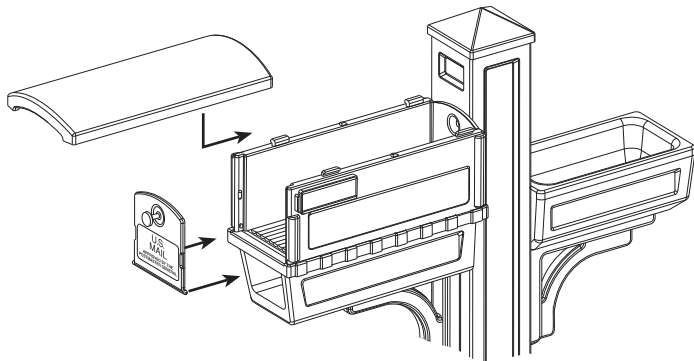


- b** Slide newspaper wrap onto floor.



Note: Be sure that all tabs are aligned before snapping together.

- 7** Attach front door to mailbox floor assembly. Slide roof onto mailbox sides.



CUSTOMERS ARE **REQUIRED** TO CONTACT THE LOCAL POST OFFICE BEFORE INSTALLING THE MAILBOX TO ENSURE ITS CORRECT PLACEMENT AND HEIGHT AT THE STREET. GENERALLY, MAILBOXES ARE INSTALLED AT A HEIGHT OF 41-45 IN. FROM THE ROAD SURFACE TO INSIDE FLOOR OF THE MAILBOX OR POINT OF MAIL ENTRY (LOCKED DESIGNS) AND ARE SET BACK 6-8 IN. FROM FRONT FACE OF CURB OR ROAD EDGE TO THE MAILBOX DOOR.

10 Year Warranty

Solar Group, Inc. warrants this mailbox product to be free from defects in materials and workmanship for a period of ten years from the purchase date by the original purchaser. This limited warranty does not include minor cosmetic blemishes caused by normal use, environmental conditions which may cause fading or damage caused by others. Solar Group, Inc. shall not be liable under this or any implied warranty for incidental or consequential damages. This warranty does not cover any mailbox which has been altered or used for a purpose other than that for which it is intended, or manner inconsistent with any instructions regarding its use or installation. This warranty shall be limited to repair or replacement of product or parts found to be defective under normal use, as determined by Solar Group, Inc.

Solar Group, Inc.
P.O. Box 525
Taylorsville, MS 39168

SOLAR GROUP Inc.
A GIBRALTAR COMPANY