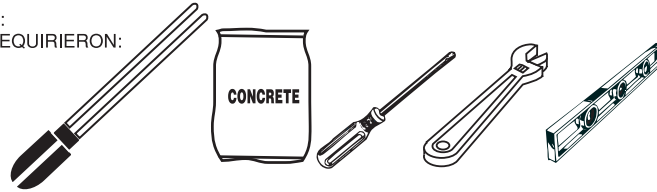


TOOLS REQUIRED:
HERRAMIENTAS REQUIRIERON:

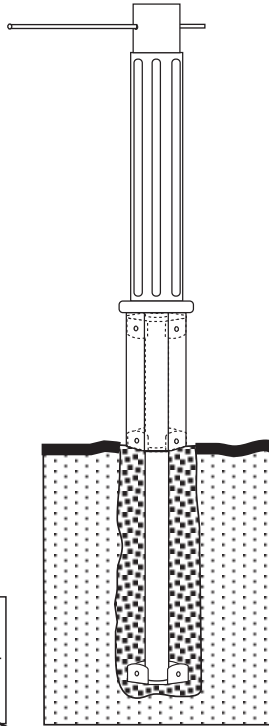
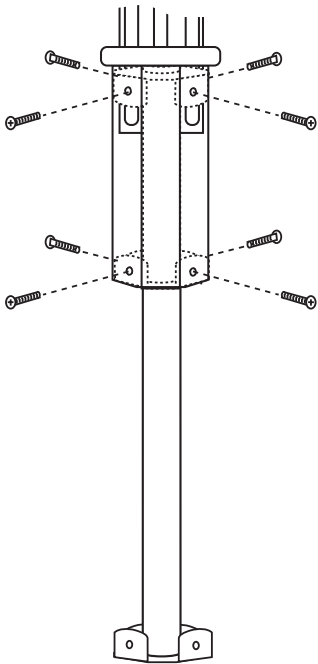


WARNING: CHECK FOR UNDERGROUND CABLES OR PIPES BEFORE DIGGING.
ADVERTENCIA: CHEQUE PARA CABLES O TUBOS SUBTERRÁNEOS ANTES DE CAVAR.

1 Attach anchor to bottom post with 8 (1/4" x 3/4") screws.

1 Adjuntar ancla a el base de poste con 8 (1/4" x 3/4") tornillos.

Start all screws before tightening.



IMPORTANT: Wood dowel must be pointed straight toward the street to insure mailbox is perpendicular to road.

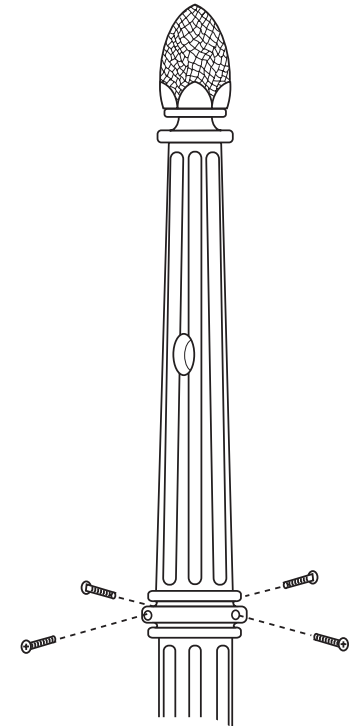
IMPORTANTE: La clavija tiene que directo derecho hacia la callea asegurar buzón es perpendicular a el camino.

- 2**
- A** Dig a hole 18"-20" deep (or below frostline in your area.)
 - B** Place wood dowel into threaded holes.
 - C** Place anchor/post assembly into hole. Hold bottom edge of post at finished ground level and pour concrete around anchor. **NOTE:** Follow manufacturer's instructions for concrete.
 - D** Point dowel toward the road and hold post level until concrete begins to set to insure mailbox is perpendicular to road.
 - E** Allow adequate cure time before completing assembly.
 - F** Remove concrete splatter from post with water.

- 2**
- A** Excavar un hoyo 45.6 -50.7cm profundo (o más adelante línea de helada en su área.)
 - B** Lugar la clavija de madera en el hoyo sobre el poste.
 - C** Poner ancla y poste en el hoyo. Sujetar base de poste a ras de tierra y verter concreto alrededor la ancla. **NOTA:** Seguir instrucciones de fabricante para el concreto.
 - D** Directo la clavija hacia la calle y sujetar el nivel de poste hasta el concreto comienza a colocara asegurar buzón es perpendicular a el camino.
 - E** Permitir tiempo adecuado de cura antes de completar instalación.
 - F** Quitar excesivo concreto desde el poste con la agua.

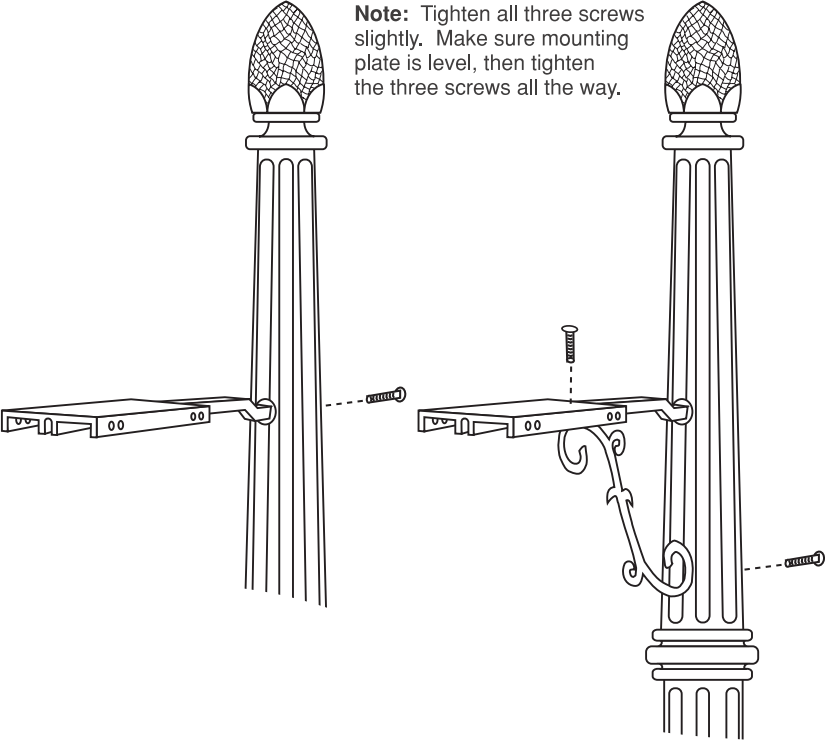
3 Attach top post section to bottom post section with 4 (5/16-18 x 1 1/4") screws.

3 Adjuntar poste de cima á poste base con 4 (5/16-18 x 1 1/4") tornillos.



- 4** **A** Insert cross arm into pocket and start (5/16-18 x 2 1/2") screw.
B Place scroll support into hole and assemble to cross arm with (1/4-20 x 1") flat head screw. Insert (1/4-20 x 3") flat head screw through post and threaded hole in scroll.
C Tighten screws.
- 4** **A** Inserción el soporte en el hoyo y comienzo (5/16-18 x 2 1/2") tornillo.
B Lugar la rolo soporte en el hoyo y adjunta para cruzar brazo con (1/4-20 x 1") tornillo plano. Ponga el (1/4-20 x 3") tornillo por el poste y el hoyo en el apoyo.
C Apretar tornillos.

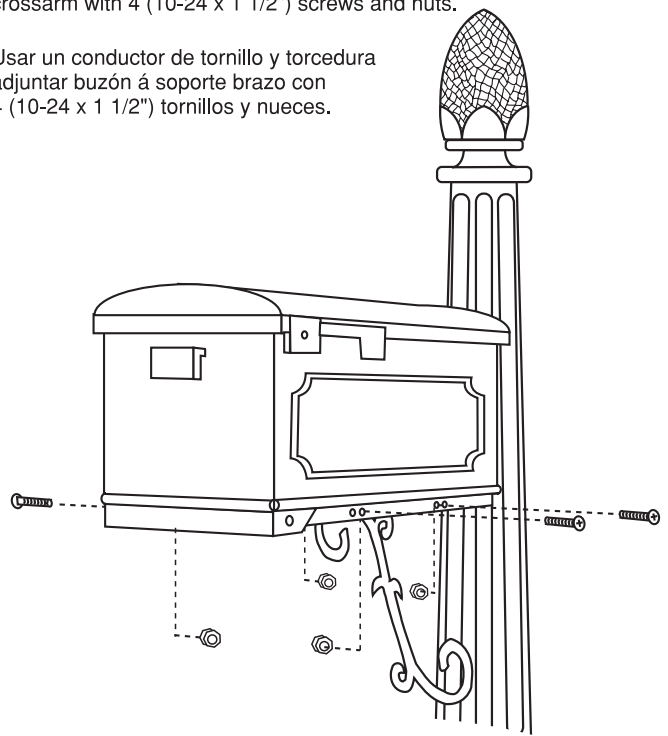
Note: Tighten all three screws slightly. Make sure mounting plate is level, then tighten the three screws all the way.



- 5** Using screw driver and wrench, attach mailbox to crossarm with 4 (10-24 x 1 1/2") screws and nuts.
- 5** Usar un conductor de tornillo y torcedura adjuntar buzón á soporte brazo con 4 (10-24 x 1 1/2") tornillos y nueces.

Note: Roller catch can be adjusted with a screw driver for proper door tension.

Nota: Rodillo ajustar con un conductor de tornillo para apropiado tensión de puerta.



CUSTOMERS ARE REQUIRED TO CONTACT THE LOCAL POST OFFICE BEFORE INSTALLING THE MAILBOX TO ENSURE ITS CORRECT PLACEMENT AND HEIGHT AT THE STREET. GENERALLY, MAILBOXES ARE INSTALLED AT A HEIGHT OF 41-45 IN. FROM THE ROAD SURFACE TO INSIDE FLOOR OF THE MAILBOX OR POINT OF MAIL ENTRY (LOCKED DESIGNS) AND ARE SET BACK 6-8 IN. FROM FRONT FACE OF CURB OR ROAD EDGE TO THE MAILBOX DOOR.

Made in China

SOLAR GROUP inc.
 P.O. Box 525
 Taylorsville, MS 39168